

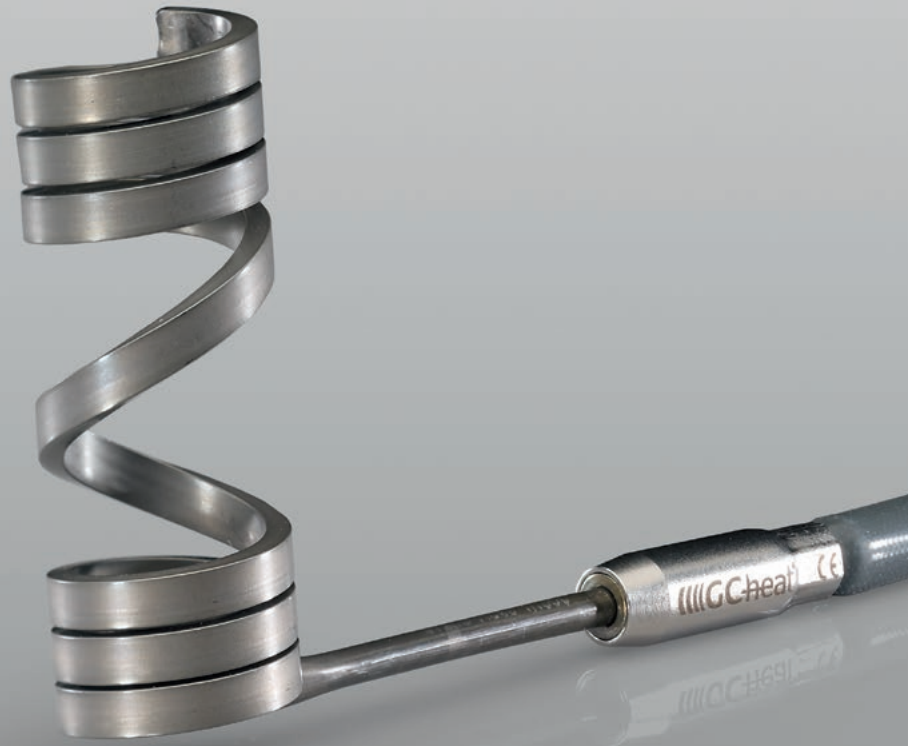
GCheat®

The highest degree.



加热圈

GC-coil coil heater



GC-coil线圈式加热器

GC-coil coil heaters

GC-coil线圈式加热器有各种截面和尺寸可供使用，在最紧密的安装空间内提供高性能的电加热，筒形外壳上最高温度可达750°C。最小弯曲半径从R3到R13（取决于截面），这使得GC-coil线圈式加热器的使用不仅是直线或盘绕形的，而且可以是几乎任何几何形状。一体的热电偶（选项）实现精确的温度控制。在喷嘴加热上，GC-coil通过将单个线圈按梯度进行特殊设计获得独立的功率分配。

所有的GC-coil线圈式加热器有各种出头和连接形式可供使用，以适合各种应用。

GC-coil coil heaters are available in various cross sections and sizes and offer high-capacity electrical heating in the tightest of installation spaces at temperatures of up to 750°C on the cartridge sheath. The minimum bending radius of R3 to R13 (depending on the cross section) allows the use of the GC-coil coil heaters not only in straight or coiled form, but in almost every geometrical shape. An optionally integrated thermocouple enables precise temperature control. In nozzle heating, the GC-coil achieves individual power distribution through the specifically designed gradient of the individual windings.

All GC-coil coil heaters are available with various exits and connections to suit the respective application.

GC-coil

技术可能性和选项

Technical possibilities and options

- 紧凑空间中发挥高性能
High performance in compact spaces
- 一体的热电偶
Integrated thermocouple
- 按客户要求几乎可盘成或弯成任何几何形状
Winding or bending according to customer's wishes in nearly every geometrical form
- 各种出头和连接形式
Various connections and exits
- 由于有GC-jacket，它们具有最佳的热传递。
(见第14页)
Optimum heat transfer due to a GC-jacket (see page 14)

应用

Applications

- 热流道系统
Hot runner systems
- 塑料行业
Plastic industry
- 包装机器
Packaging machines
- 医疗设备
Medical equipment
- 铸造工艺
Foundry technology
- 其他许多热工艺流程
Numerous other thermal processes

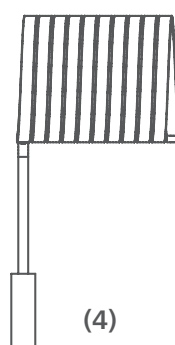
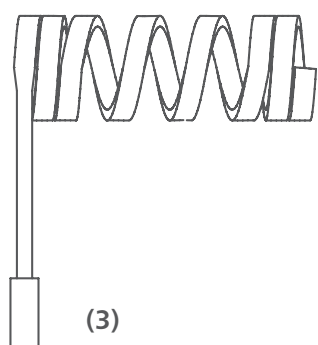
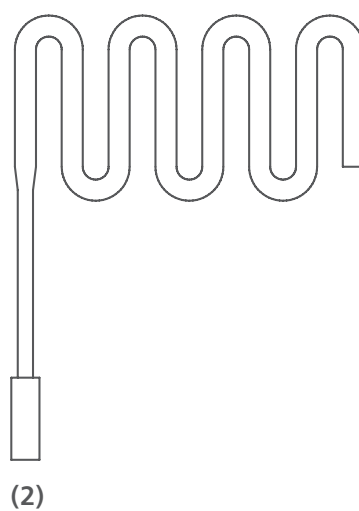
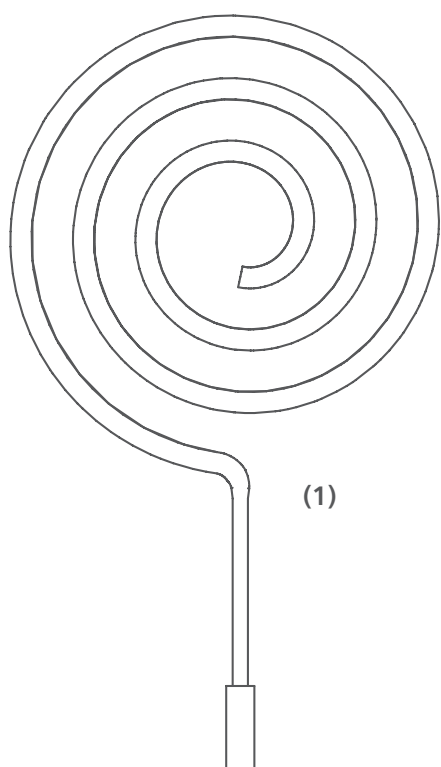
GC-coil 盘绕方式

GC-coil coiling schemes

盘绕方式

Coiling schemes

- (1) 螺旋式
Spiral
- (2) 曲流式
Meander
- (3) 按瓦数分布盘绕
Coiled with wattage distribution
- (4) 紧密盘绕
Coiled together



GC-coil 出线方法

GC-coil exits

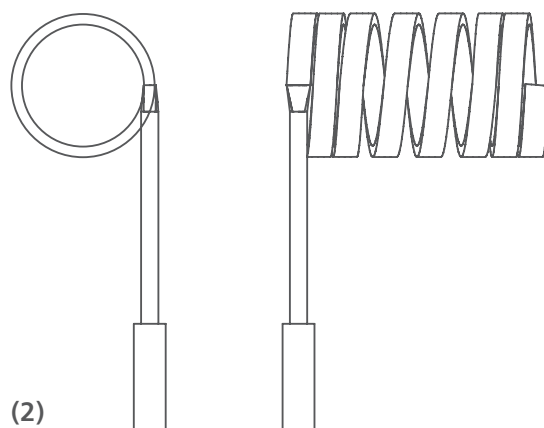
出头

Exits

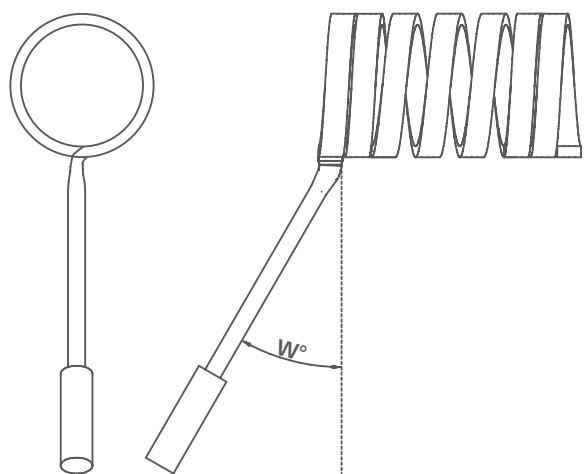
- (1) 轴向
Axial
- (2) 切线方向
Tangential
- (3) 径向
Radial
- (4)/(5) 特殊出线方法
Special exits



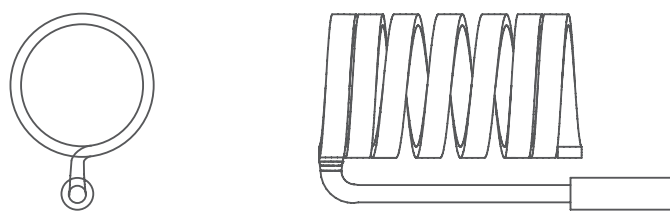
(1)



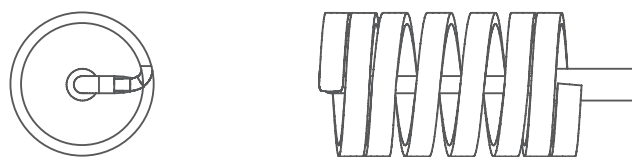
(2)



(3)



(4)



(5)



GC-coil

GC-coil线圈式加热器 *GC-coil coil heaters*

标准型

Standard versions

- GC-coil 标准型，有备库存
- *GC-coil standard, available from stock*
- 截面、长度、瓦数依照表格；
电压：230 V
*Cross section, length, wattage acc. to table;
voltage: 230 V*
- 连接形式：TEGA 1000（连接头防湿保护；UL认证的PTFE
导线带玻璃纤维绝缘衬套和接地导线；1000 mm）
*Connection type: TEGA 1000 (connection head
protected against humidity; UL-approved PTFE
leads with glass silk insulated sleeve and earth lead;
1000 mm)*
- 可按客户要求提供其他设计
Other designs available on request
- 连接形式见第12页
Connection types see pages 12

各种尺寸的GC-coil线圈式加热器都备有库存。

Various dimensions of GC-coil coil heaters are available from stock at short notice.

GC-coil线圈式加热器 GC-coil coil heaters	Ø 1.3	1.0 x 1.6*	Ø 1.8	1.3 x 2.3*	1.8 x 3.2	2.2 x 4.2 3.0 x 3.0	Ø 3.3	Ø 4.0	4.6 x 9.0
不加热段 (Lu1), 标准** Unheated zone (Lu1), standard**	45 mm								55 mm
不加热段 (Lu2), 标准** Unheated zone (Lu2), standard**	Lu1 + 30 mm				—				
长度公差, 加热段 Length tolerance, heated zone	+/- 2.5%								+/- 1%
长度公差, 不加热段 Length tolerance, unheated zone	+/- 2.5%								
弯曲半径, 加热段 Bending radius, heated zone	最少R3 min. R3						最少R4 min. R4		最少R13 min. R13
弯曲半径, 不加热段 Bending radius, unheated zone	最少R3 min. R3								最少R8 min. R8
公差, 内径 Tolerance, inner diameter	Ø < 12 mm		-0.1/-0.2 mm						
公差, 内径 Tolerance, inner diameter	Ø < 30 mm		-0.1/-0.3 mm						
公差, 内径 Tolerance, inner diameter	Ø > 30 mm < 50 mm		-0.2/-0.4 mm						
公差, 内径 Tolerance, inner diameter	Ø > 50 mm < 80 mm		-0.5/-1 mm						
管上压紧 With pressed-on tube	+ 0.05/+ 0.15 mm								
瓦数公差 Wattage tolerance	+/- 10%								
热电偶 Thermocouple	Fe-CuNi/NiCr-Ni			—			□		
壳体材料 Sheath material	CrNi 钢, 镍 CrNi steel, nickel					CrNi 钢 CrNi steel			
壳体温度 Sheath temperature	最大750°C (最大500°C 镍) max. 750°C (max 500°C Nickel)								
高电压稳定性 (冷态, 直线的) High-voltage stability (cold, straight)	800 V								1250 V

* 仅以盘绕形式交货。Only deliverable coiled.

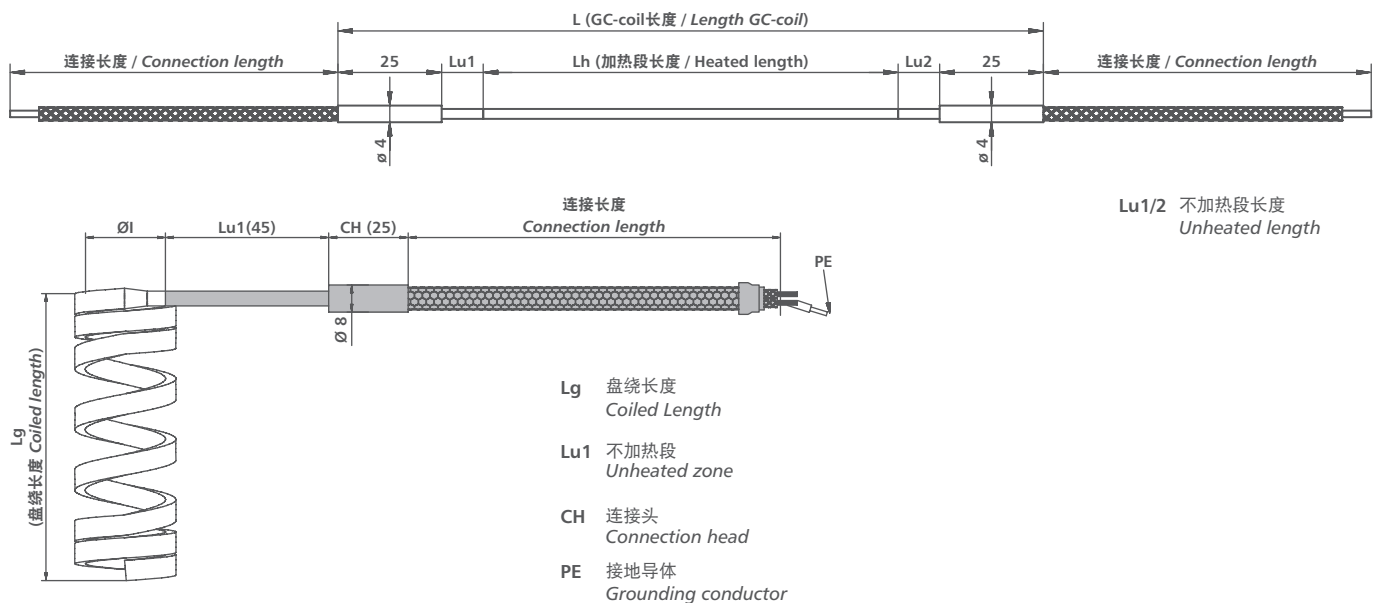
** 可以是特殊长度。Special lengths possible.

不排除可能的技术变更和错误 Technical changes and errors excepted.

■ 标准型 Standard version

□ 可选型 Optional version

— 没有的 Not available



可按客户要求提供其他设计 Other designs available on request.



GC-coil

GC-coil连接形式：TEGA 1000

GC-coil connection types TEGA 1000

标准的

Standard

- 接头防湿保护
Connection head protected against humidity
- UL认证的PTFE特氟龙导线，1000 mm
UL-approved PTFE teflon leads, 1000 mm
- 接地线，1030 mm
Earth, 1030 mm
- 最高耐温260°C
Max. temperature resistance 260°C
- 带玻璃纤维绝缘衬套，950 mm
With glass silk insulated sleeve, 950 mm

更多选项

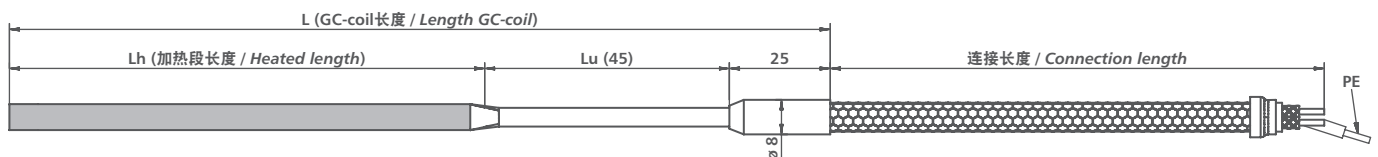
Further options

- 带金属衬套（MWS）
With metal sleeve (MWS)
- 带金属编织衬套（MGS）
With braided metal sleeve (MGS)
- 带不锈钢衬套（RWE）
With stainless-steel sleeve (RWE)
- 不带保护衬套
Without protective sleeve
- 可按客户要求提供其他特殊连接形式
Other special connections available on request

GC-COIL库存
GC-COIL STOCK PROGRAM

截面 Cross section	长 (mm) Length (mm)	Lh Lh	Lu Lu	头 (mm) Head (mm)	瓦数 (W) Wattage (W)
2.2 x 4.2 mm*	320	250	45	25	195
	370	300	45	25	230
	420	350	45	25	260
	470	400	45	25	300
	520	450	45	25	350
	570	500	45	25	380
	620	550	45	25	420
	670	600	45	25	460
	720	650	45	25	500
	770	700	45	25	530
	820	750	45	25	570
	870	800	45	25	610
	920	850	45	25	650
	970	900	45	25	690
	1070	1000	45	25	760
	1170	1100	45	25	840

带或不带FeCuNi-J型热电偶，位于底部。 *With or without FeCuNi-J thermocouple, located at the bottom.*



PE 接地导体
Grounding conductor

Lu1/2 不加热段长度
Unheated length

可按客户要求提供其他设计 *Other designs available on request.*



GC-heat Gebhard GmbH & Co. KG
Industriestraße 34
51545 Waldbröl
Germany
Phone +49 (0)2291 796-0
info@gc-heat.de
gc-heat.de

GC-heat Technology (Kunshan) Co. Ltd
No. 329, Jujin Road, Zhangpu Township
215321 Kunshan
P. R. of China
Phone +86 (0)512 8788 0081
sales@gc-heat.cn
gc-heat.cn

■ made
■ in
■ Germany

