

GCheat®

The highest degree.



感温线

*GC-sens temperature sensors*



## GC-sens 温度感温器

### GC-sens temperature sensors

#### GC-sens 1F

1 x Fe-CuNi  
(J型, 黑-白), 符合DIN EN 60584, 标配  
(Type J, black-white) acc. to DIN EN 60584, standard

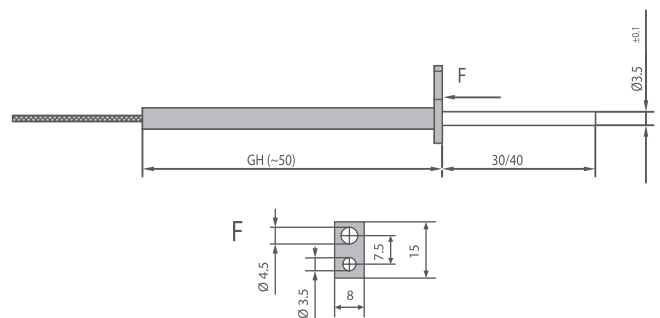
1 x Fe-CuNi  
(L型, 红-蓝), 符合DIN 43 710, 可选  
(Type L, red-blue) acc. to DIN 43 710, optional

1 x NiCr-Ni  
(K型, 绿-白), 符合DIN EN 60584, 可选  
(Type K, green-white) acc. to DIN EN 60584, optional

1 x PT 100欧姆  
符合DIN 60751, 可选  
acc. to DIN 60751, optional

- 带不锈钢固定片, 15 x 8 mm  
With fastening flap (F) made of stainless steel, 15 x 8 mm
- 不锈钢测量针尖,  $\varnothing$  3.5 mm  
Measuring tip made of stainless-steel,  $\varnothing$  3.5 mm
- 焊接的测量点, 扁平  
Measuring point soldered, flat
- 不绝缘的/接地的测量点, 可选绝缘的  
Measuring point not insulated/grounded, optionally insulated

- 浸入长度30 mm (标配) / 40 mm (可选)  
Immersion length 30 mm (standard) / 40 mm (optional)
- 工作温度最大400°C  
Working temperature max. 400°C
- 带玻璃纤维防护套  
With protective glass silk sleeve
- 感温导线: 玻璃纤维绝缘的导线, 0.22 mm<sup>2</sup>, 金属编织衬套带棉纱, 50 mm露出端, 标准连接长度2000 mm  
Thermo-leads: glass silk insulated leads, 0.22 mm<sup>2</sup>, braided metal sleeve with cotton binder, 50 mm open ends, standard connection length 2000 mm





# GC-sens

## GC-sens 2T

1 或/或 2 x Fe-CuNi  
(J型, 黑-白), 符合DIN EN 60584, 标准  
(Type J, black-white) acc. to DIN EN 60584, standard

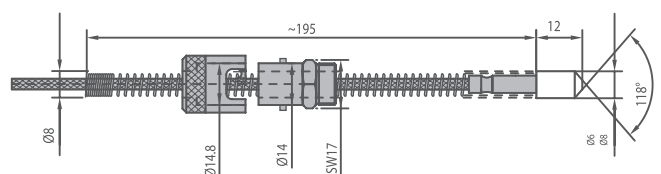
1 或/或 2 x Fe-CuNi  
(L型, 红-蓝), 符合DIN 43 710, 可选  
(Type L, red-blue) acc. to DIN 43 710, optional

1 或/或 2 x NiCr-Ni  
(K型, 绿-白), 符合DIN EN 60584, 可选  
(Type K, green-white) acc. to DIN EN 60584, optional

1 x PT 100欧姆  
符合DIN 60751, 可选  
acc. to DIN 60751, optional

- 测量针  $\varnothing$  6.0 mm (可选) 或  $\varnothing$  8.0 mm (标准)  
Measuring tip  $\varnothing$  6.0 mm (optional) or  $\varnothing$  8.0 mm (standard)
- 测量点焊接的, 118° 孔角,  
可选扁平的  
Measuring point welded, 118° bore angle,  
optionally flat
- 不绝缘的/接地的测量点, 可选绝缘的  
Measuring point not insulated/grounded, optionally insulated

- 插入长度约15-150 mm  
Immersion length approx. 15–150 mm
- 工作温度最大400°C  
Working temperature max. 400°C
- 铜镍电镀的卡销,  $\varnothing$  15 mm  
Nickel-brass-plated bayonet,  $\varnothing$  15 mm
- 不锈钢压簧  
Stainless-steel pressure spring
- 螺纹接套: 铜镍电镀  
Screw-in nipple: Nickel-brass-plated
- 感温导线: 玻璃纤维绝缘的导线, 0.35 mm<sup>2</sup>, 金属编织衬套带棉纱, 50 mm 露出端, 标准连接长度2000 mm  
Thermo-leads: glass silk insulated leads, 0.35 mm<sup>2</sup>, braided metal sleeve with cotton binder, 50 mm open ends, standard connection length 2000 mm



### GC-sens 17

1 x Fe-CuNi

(J型, 黑-白), 符合DIN EN 60584, 标准  
(Type J, black-white) acc. to DIN EN 60584, standard

1 x Fe-CuNi

(L型, 红-蓝), 符合DIN 43 710, 可选  
(Type L, red-blue) acc. to DIN 43 710, optional

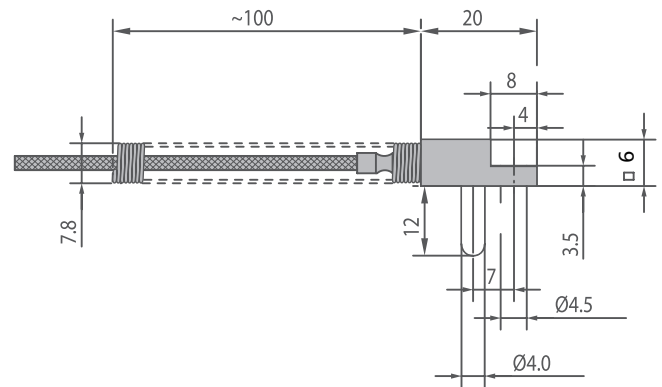
1 x NiCr-Ni

(K型, 绿-白), 符合DIN EN 60584, 可选  
(Type K, green-white) acc. to DIN EN 60584, optional

- 测量针  $\varnothing$  4.0 mm  
Measuring tip  $\varnothing$  4.0 mm
- 焊接的测量点, 半球形  
Measuring point soldered, hemispherical
- 不绝缘的/接地的测量点, 可选绝缘的  
Measuring point not insulated/grounded, opt. insulated
- 插入长度约12 mm  
Immersion length approx. 12 mm
- 安装孔  $\varnothing$  4.5 mm  
Fixing hole  $\varnothing$  4.5 mm

- 工作温度最大400°C  
Working temperature max. 400°C
- 不锈钢防护簧  
Stainless-steel protective spring

- 感温导线: 玻璃纤维绝缘的导线, 0.35 mm<sup>2</sup>, 金属编织衬套带棉纱, 50 mm露出端, 标准连接长度2000 mm  
Thermo-leads: glass silk insulated leads, 0.35 mm<sup>2</sup>, braided metal sleeve with cotton binder, 50 mm open ends, standard connection length 2000 mm



### GC-sens 10

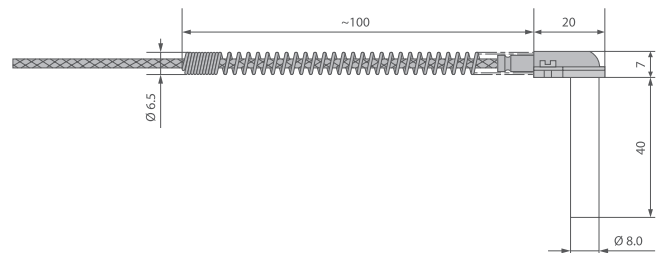
1 x Fe-CuNi (L型) 符合1/2 DIN 43 710  
acc. 1/2 DIN 43 710

1 x Fe-CuNi (J型) 符合DIN EN 60584, 1类  
acc. DIN EN 60584, class 1

1 x PT 100欧姆 符合DIN EN 60751, B类  
acc. DIN EN 60751, class B

- 测量针  $\varnothing$  6.0 mm或 $\varnothing$  8.0 mm  
Measuring tip  $\varnothing$  6.0 mm or  $\varnothing$  8.0 mm
- 焊接的测量点  
Measuring point soldered
- 插入长度40 mm  
Immersion length 40 mm
- 工作温度最大400°C  
Working temperature max. 400°C

- 不锈钢防护弹簧  
Stainless-steel protective spring
- 感温导线: 玻璃纤维绝缘的导线, 0.35 mm<sup>2</sup>, 金属编织衬套带棉纱, 50 mm露出端  
Thermo-leads: glass silk insulated leads, 0.35 mm<sup>2</sup>, braided metal sleeve with cotton binder, 50 mm open ends



**GC-sens MT1.0/1.5**

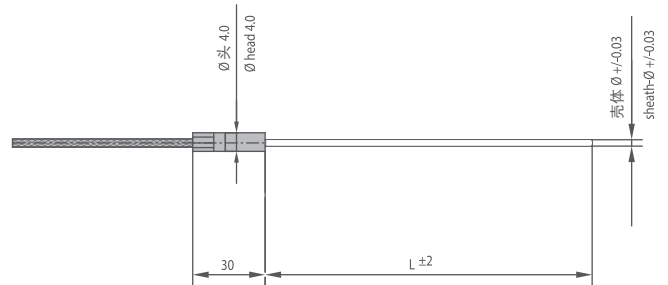
1 x Fe-CuNi  
(J型, 黑-白), 符合DIN EN 61515, 标准  
(Type J, black-white) acc. to DIN EN 61515, standard

1 x Fe-CuNi  
(L型, 红-蓝), 符合DIN 43 710, 可选  
(Type L, red-blue) acc. to DIN 43 710, optional

1 x NiCr-Ni  
(K型, 绿-白), 符合DIN EN 61515, 可选  
(Type K, green-white) acc. to DIN EN 61515, optional

- 绝缘的测量点, 可选连接到外壳或接地  
*Measuring point insulated, optionally bonded to the outer sheath/grounded*
- 插入长度按客户要求  
*Immersion length on customer's request*
- 弯曲半径最小值: 5×壳体导线外径  
*Bending radius min. 5x outer diameter of sheath leads*

- 针尖工作温度最大800°C, 连接处最大温度200°C  
*Tip working temperature max. 800°C, connection max. 200°C*
- 耐电压100V-直流  
*Proof voltage 100 V-DC*
- 感温导线: 玻璃纤维绝缘的导线, 2×0.22 mm<sup>2</sup>/0.35 mm<sup>2</sup>, 金属编织衬套带示踪棉线, 50 mm/80 mm露出端, 标准连接长度2000 mm  
*Thermo-leads: glass silk insulated leads, 2 x 0.22 mm<sup>2</sup>/0.35 mm<sup>2</sup>, braided metal sleeve with cotton tracer thread, 50 mm/80 mm open ends, standard connection length 2000 mm*



有库存 in stock		长度 Length					其它长度 other lengths
		60 mm	100 mm	120 mm	150 mm	180 mm	
直径 Diameter	Ø 1.0			■			□
直径 Diameter	Ø 1.5			■			□
连接长度 Connection length	2000 mm			■			□

技术变更和排除的错误 Technical changes and errors excepted.

■ 标准型 Standard version

□ 可选型 Optional version

— 没有的 Not available





GC-heat Gebhard GmbH & Co. KG  
Industriestraße 34  
51545 Waldbröl  
Germany  
Phone +49 (0)2291 796-0  
info@gc-heat.de  
gc-heat.de

GC-heat Technology (Kunshan) Co. Ltd  
No. 329, Jujin Road, Zhangpu Township  
215321 Kunshan  
P. R. of China  
Phone +86 (0)512 8788 0081  
sales@gc-heat.cn  
gc-heat.cn

made  
in  
Germany

