

GCheat®

The highest degree.



感温线

GC-sens temperature sensors



GC-sens 温度感温器

GC-sens temperature sensors

GC-sens 1F

1 x Fe-CuNi
(J型, 黑-白), 符合DIN EN 60584, 标配
(Type J, black-white) acc. to DIN EN 60584, standard

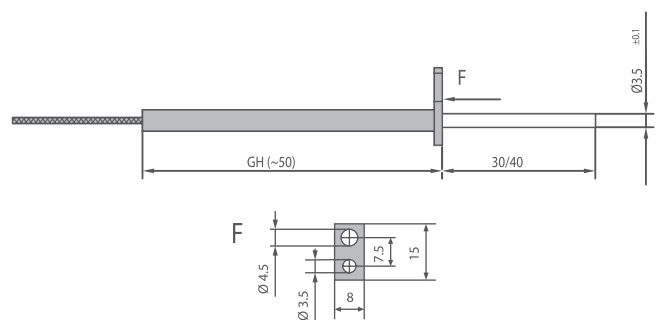
1 x Fe-CuNi
(L型, 红-蓝), 符合DIN 43 710, 可选
(Type L, red-blue) acc. to DIN 43 710, optional

1 x NiCr-Ni
(K型, 绿-白), 符合DIN EN 60584, 可选
(Type K, green-white) acc. to DIN EN 60584, optional

1 x PT 100欧姆
符合DIN 60751, 可选
acc. to DIN 60751, optional

- 带不锈钢固定片, 15 x 8 mm
With fastening flap (F) made of stainless steel, 15 x 8 mm
- 不锈钢测量针尖, $\varnothing 3.5$ mm
Measuring tip made of stainless-steel, $\varnothing 3.5$ mm
- 焊接的测量点, 扁平
Measuring point soldered, flat
- 不绝缘的/接地的测量点, 可选绝缘的
Measuring point not insulated/grounded, optionally insulated

- 浸入长度30 mm (标配) / 40 mm (可选)
Immersion length 30 mm (standard) / 40 mm (optional)
- 工作温度最大400°C
Working temperature max. 400°C
- 带玻璃纤维防护套
With protective glass silk sleeve
- 感温导线: 玻璃纤维绝缘的导线, 0.22 mm², 金属编织衬套带棉纱, 50 mm露出端, 标准连接长度2000 mm
Thermo-leads: glass silk insulated leads, 0.22 mm², braided metal sleeve with cotton binder, 50 mm open ends, standard connection length 2000 mm





GC-sens

GC-sens 2T

1 或/或 2 x Fe-CuNi
(J型, 黑-白), 符合DIN EN 60584, 标准
(Type J, black-white) acc. to DIN EN 60584, standard

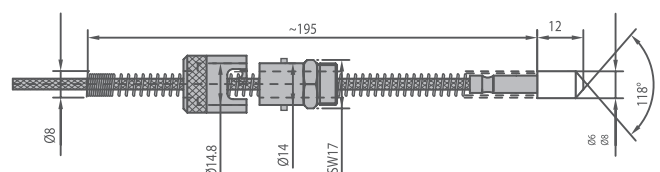
1 或/或 2 x Fe-CuNi
(L型, 红-蓝), 符合DIN 43 710, 可选
(Type L, red-blue) acc. to DIN 43 710, optional

1 或/或 2 x NiCr-Ni
(K型, 绿-白), 符合DIN EN 60584, 可选
(Type K, green-white) acc. to DIN EN 60584, optional

1 x PT 100欧姆
符合DIN 60751, 可选
acc. to DIN 60751, optional

- 测量针 \varnothing 6.0 mm (可选) 或 \varnothing 8.0 mm (标准)
Measuring tip \varnothing 6.0 mm (optional) or \varnothing 8.0 mm (standard)
- 测量点焊接的, 118° 孔角,
可选扁平的
Measuring point welded, 118° bore angle,
optionally flat
- 不绝缘的/接地的测量点, 可选绝缘的
Measuring point not insulated/grounded, optionally insulated

- 插入长度约15-150 mm
Immersion length approx. 15–150 mm
- 工作温度最大400°C
Working temperature max. 400°C
- 铜镍电镀的卡销, \varnothing 15 mm
Nickel-brass-plated bayonet, \varnothing 15 mm
- 不锈钢压簧
Stainless-steel pressure spring
- 螺纹接套: 铜镍电镀
Screw-in nipple: Nickel-brass-plated
- 感温导线: 玻璃纤维绝缘的导线, 0.35 mm², 金属编织衬套带棉纱, 50 mm 露出端, 标准连接长度2000 mm
Thermo-leads: glass silk insulated leads, 0.35 mm², braided metal sleeve with cotton binder, 50 mm open ends, standard connection length 2000 mm



GC-sens 17

1 x Fe-CuNi

(J型, 黑-白), 符合DIN EN 60584, 标准
(Type J, black-white) acc. to DIN EN 60584, standard

1 x Fe-CuNi

(L型, 红-蓝), 符合DIN 43 710, 可选
(Type L, red-blue) acc. to DIN 43 710, optional

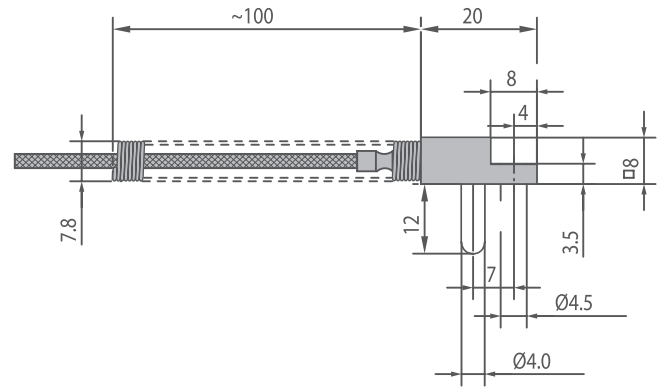
1 x NiCr-Ni

(K型, 绿-白), 符合DIN EN 60584, 可选
(Type K, green-white) acc. to DIN EN 60584, optional

- 测量针 \varnothing 4.0 mm
Measuring tip \varnothing 4.0 mm
- 焊接的测量点, 半球形
Measuring point soldered, hemispherical
- 不绝缘的/接地的测量点, 可选绝缘的
Measuring point not insulated/grounded, opt. insulated
- 插入长度约12 mm
Immersion length approx. 12 mm
- 安装孔 \varnothing 4.5 mm
Fixing hole \varnothing 4.5 mm

- 工作温度最大400°C
Working temperature max. 400°C
- 不锈钢防护簧
Stainless-steel protective spring

- 感温导线: 玻璃纤维绝缘的导线, 0.35 mm², 金属编织衬套带棉纱, 50 mm露出端, 标准连接长度2000 mm
Thermo-leads: glass silk insulated leads, 0.35 mm², braided metal sleeve with cotton binder, 50 mm open ends, standard connection length 2000 mm



GC-sens 10

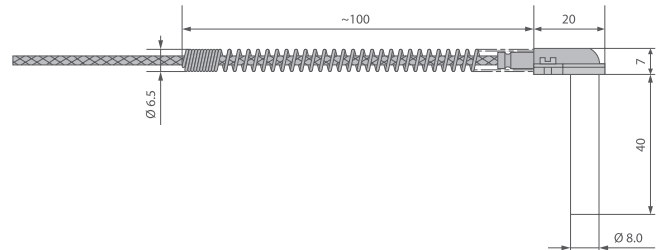
1 x Fe-CuNi (L型) 符合1/2 DIN 43 710
acc. 1/2 DIN 43 710

1 x Fe-CuNi (J型) 符合DIN EN 60584, 1类
acc. DIN EN 60584, class 1

1 x PT 100欧姆 符合DIN EN 60751, B类
acc. DIN EN 60751, class B

- 测量针 \varnothing 6.0 mm或 \varnothing 8.0 mm
Measuring tip \varnothing 6.0 mm or \varnothing 8.0 mm
- 焊接的测量点
Measuring point soldered
- 插入长度40 mm
Immersion length 40 mm
- 工作温度最大400°C
Working temperature max. 400°C

- 不锈钢防护弹簧
Stainless-steel protective spring
- 感温导线: 玻璃纤维绝缘的导线, 0.35 mm², 金属编织衬套带棉纱, 50 mm露出端
Thermo-leads: glass silk insulated leads, 0.35 mm², braided metal sleeve with cotton binder, 50 mm open ends



GC-sens MT1.0/1.5

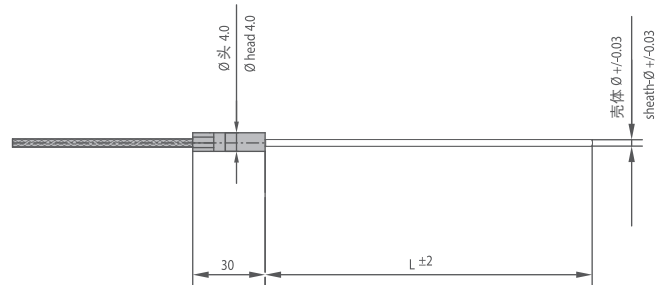
1 x Fe-CuNi
(J型, 黑-白), 符合DIN EN 61515, 标准
(Type J, black-white) acc. to DIN EN 61515, standard

1 x Fe-CuNi
(L型, 红-蓝), 符合DIN 43 710, 可选
(Type L, red-blue) acc. to DIN 43 710, optional

1 x NiCr-Ni
(K型, 绿-白), 符合DIN EN 61515, 可选
(Type K, green-white) acc. to DIN EN 61515, optional

- 绝缘的测量点, 可选连接到外壳或接地
Measuring point insulated, optionally bonded to the outer sheath/grounded
- 插入长度按客户要求
Immersion length on customer's request
- 弯曲半径最小值: 5×壳体导线外径
Bending radius min. 5x outer diameter of sheath leads

- 针尖工作温度最大800°C, 连接处最大温度200°C
Tip working temperature max. 800°C, connection max. 200°C
- 耐电压100V-直流
Proof voltage 100 V-DC
- 感温导线: 玻璃纤维绝缘的导线, 2×0.22 mm²/0.35 mm², 金属编织衬套带示踪棉线, 50 mm/80 mm露出端, 标准连接长度2000 mm
Thermo-leads: glass silk insulated leads, 2 x 0.22 mm²/0.35 mm², braided metal sleeve with cotton tracer thread, 50 mm/80 mm open ends, standard connection length 2000 mm



有库存 in stock		长度 Length					其它长度 other lengths
		60 mm	100 mm	120 mm	150 mm	180 mm	
直径 Diameter	Ø 1.0			■			□
直径 Diameter	Ø 1.5			■			□
连接长度 Connection length	2000 mm			■			□

技术变更和排除的错误 Technical changes and errors excepted.

■ 标准型 Standard version

□ 可选型 Optional version

— 没有的 Not available



GC-heat Gebhard GmbH & Co. KG
Industriestraße 34
51545 Waldbröl / Germany
Phone +49 (0)2291 796-0
Fax +49 (0)2291 796-69

www.gc-heat.de

■ made
■ in
■ Germany

